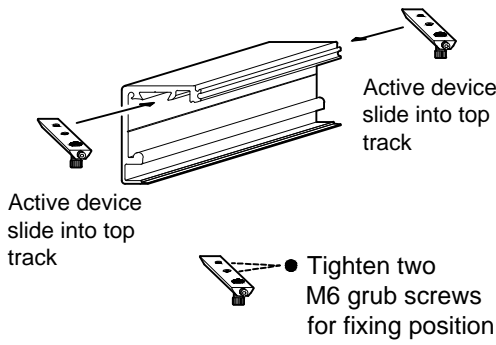
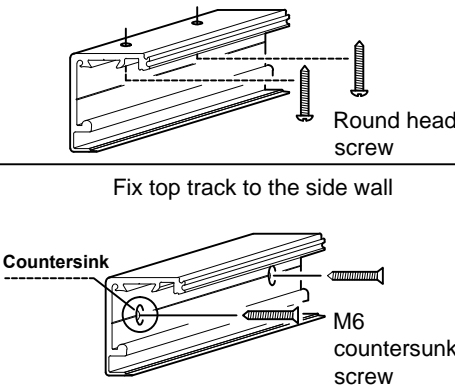


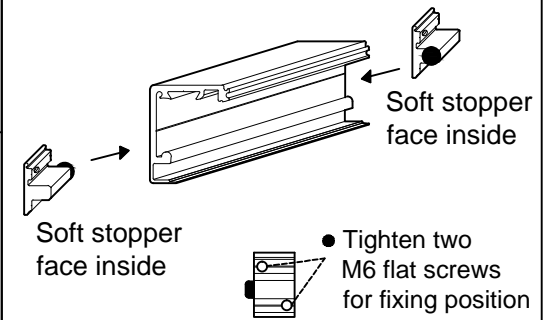
1 Slide the Active device into top track



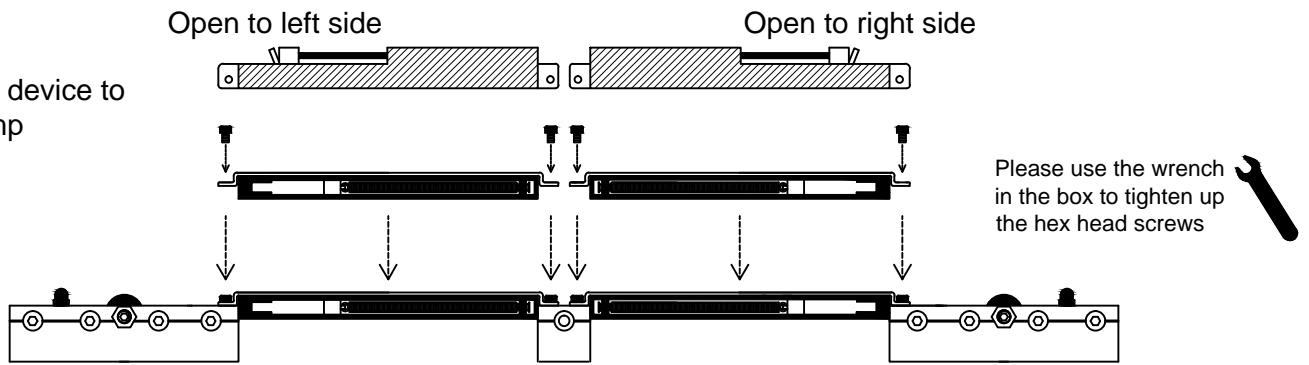
2 Fix top track to the top construction (make sure the top track is level)



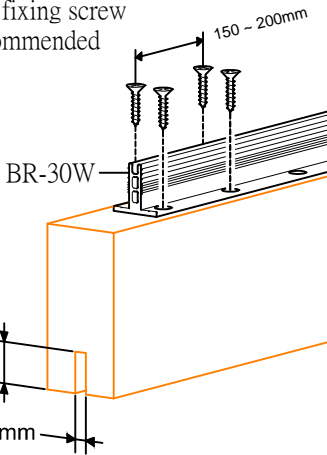
3 Slide the stopper into the top track, and the soft material face inside



4 Assemble the anti-bump device to the glass clamp



5 Distance between each fixing screw 150mm~200mm is recommended



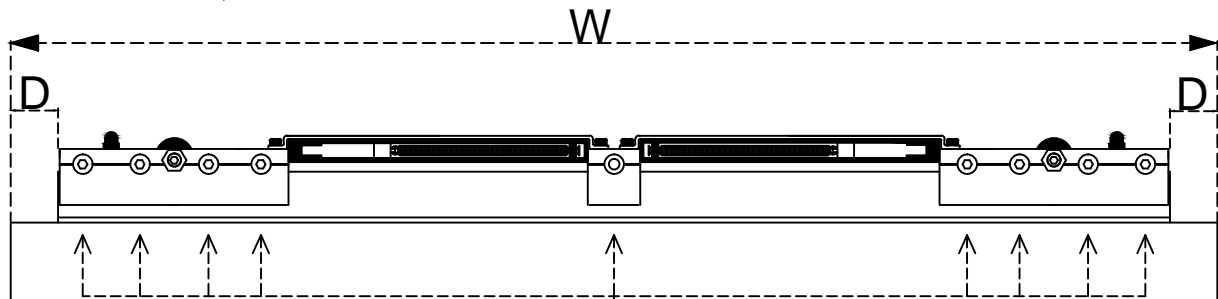
Recommended bottom groove size

Fix the complete set glass clamps and the dampers to BR-30W

W : total panel's width

D : Distance from the glass edge to the clamp

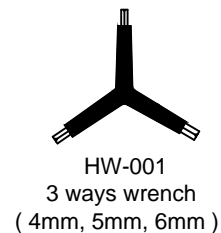
$$D = (W - 680\text{mm}) / 2$$



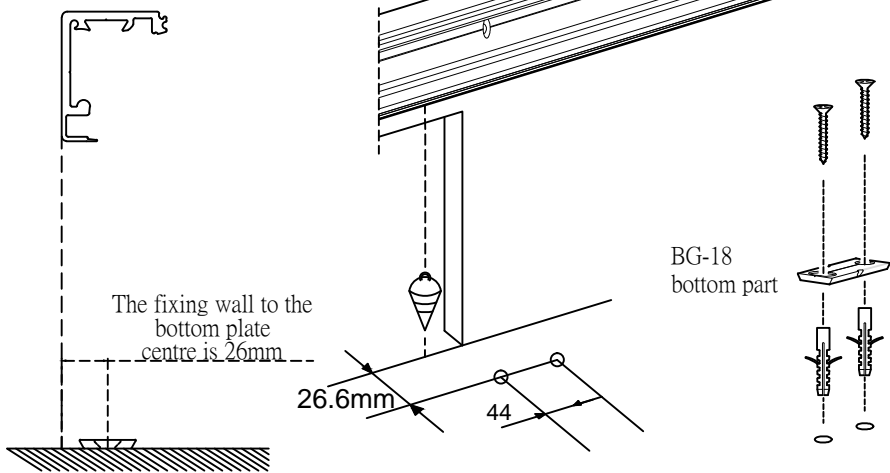
● Tighten 9 hex screws levelly with 15 Nm.

(Use GCC HW-001 3 ways wrench recommended)

● Wooden door width min. is 740mm with both ends soft stop function.
(Wooden door width less than 740mm should order another stopper & holder)

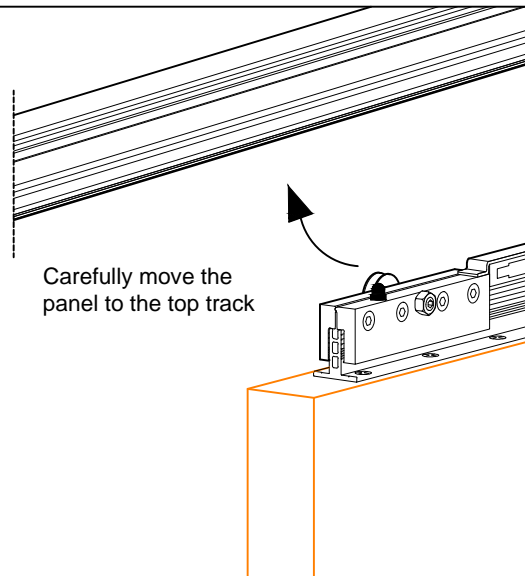


6 Please fix the bottom part of BG-18 to the floor firstly



7

Carefully move the panel to the top track

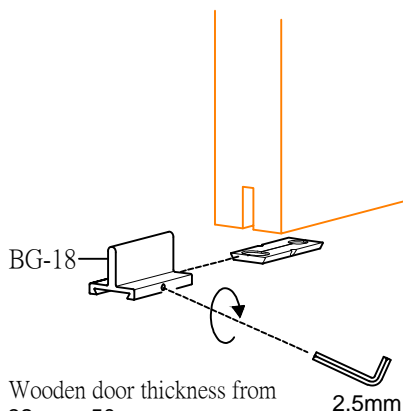


8

BG-18

Wooden door thickness from 32 mm~50mm

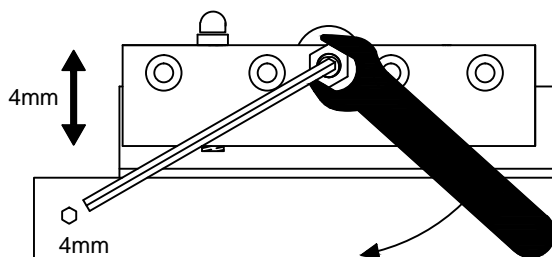
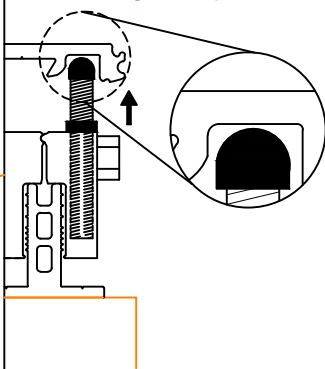
2.5mm



9

Adjust the bottom gap with a 4mm allen key. (4mm height adjustment)
And **tighten up the front nut** to avoid height changing.

Remember to turn up the anti-jumped screw and leave 1mm gap at the top



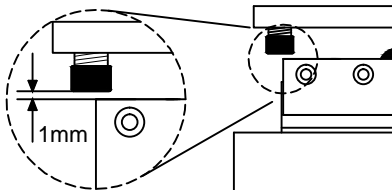
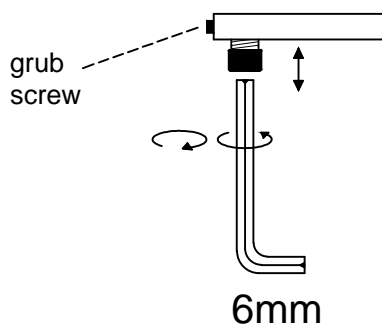
Tighten up the front nut while the bottom gap is fine

10

Adjust the active device height and move the panel to make sure the active device is just above the clamp about **1mm**

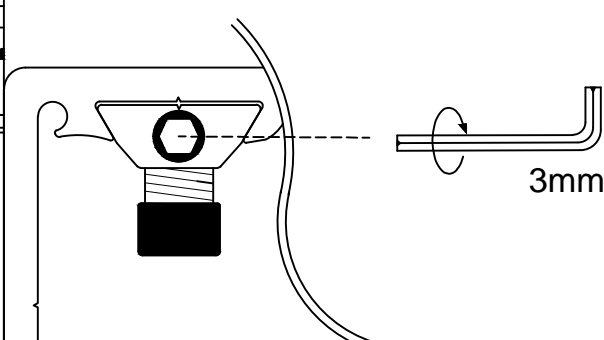
grub screw

6mm



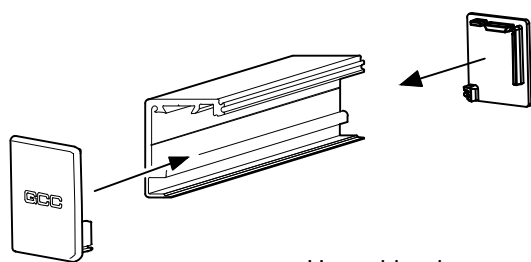
11

Tight the grub screw when the height adjustment is done and make sure the active device is functional with soft stop device. **(important)**



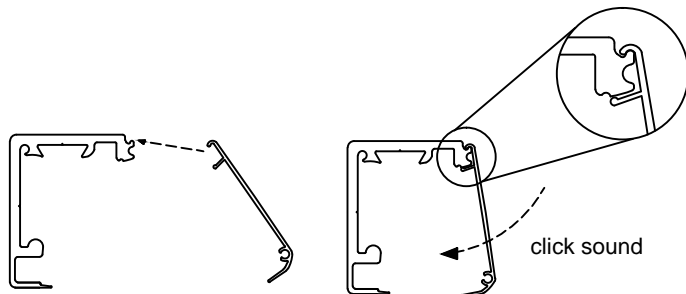
12

Fix both ends caps to the track



13

Put the aluminum cover onto the track (you may hear a "click" sound) And make sure every screw is tightened before you leave



GCC